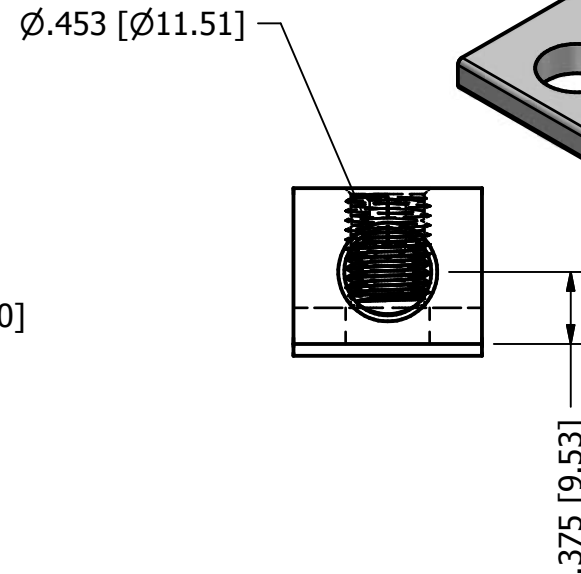
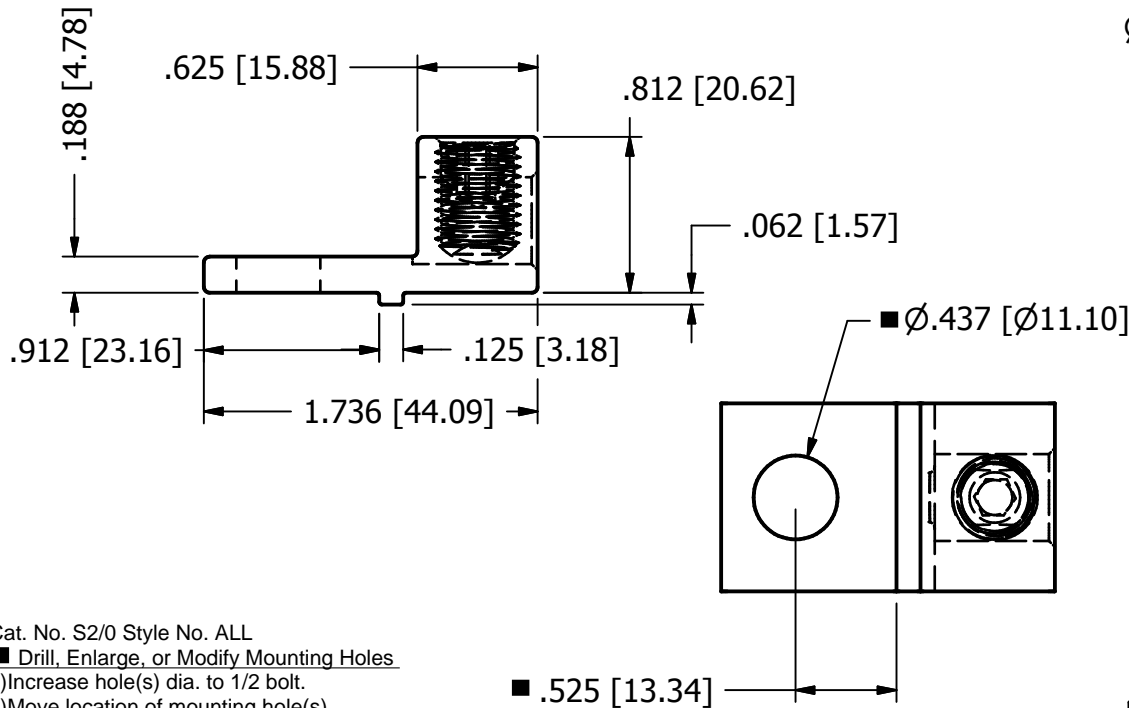
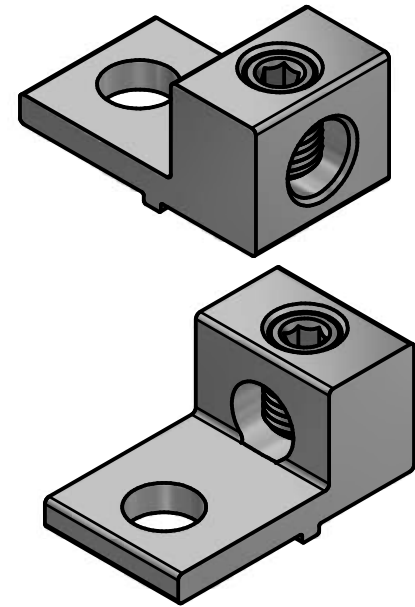
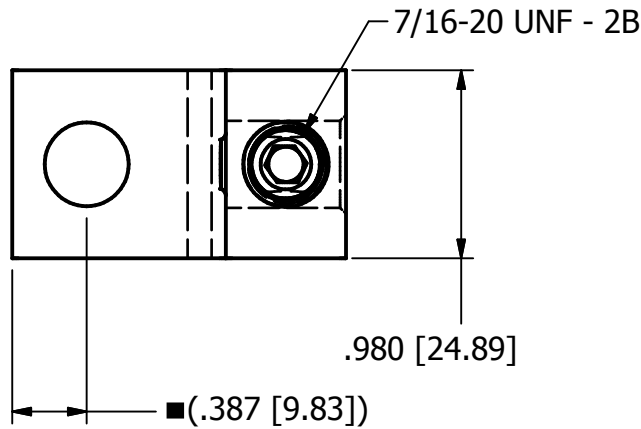


EXTRUSION
X1075TPEX

UL FILE E129884
CSA FILE
MC200116

FULLY INSTALL (1)
11703 3/16" HEX SKT
SET SCREW



MARKING:
S2/0 CU9AL
2/0-14
IHI CSA UL

Cat. No. S2/0 Style No. ALL

■ Drill, Enlarge, or Modify Mounting Holes

- 1) Increase hole(s) dia. to 1/2 bolt.
- 2) Move location of mounting hole(s)
- 3) If buying blank lug, put custom hole(s) in.

IHI UL/CSA Installation Guide to Drill or Enlarge Mounting Holes:

<https://lugsdirect.com/PDF Documents/IHI-MTG-HOLE-FIELD-MODS-UL&CSA-CERTIFICATIONS.pdf>

NOT FOR USE WHERE FAILURE CREATES A HAZARD TO HUMAN HEALTH OR SAFETY. ALL PRODUCTS ARE SUBJECT TO THIS FULL DISCLAIMER: <https://www.ihiconnectors.com/disclaimer.html>

FOR FURTHER INFORMATION ON THE PROPER USE OF THIS PRODUCT IN SPECIFIC APPLICATIONS SEE <https://www.ihiconnectors.com/GuideToFlexFlexibleFineStrandedWireCableMechanicalLugsFAQ.html>

<https://www.ihiconnectors.com/Technical-Data-Installation.htm>

<small>THIS DRAWING AND DESIGN ARE THE PROPERTY OF INTERNATIONAL HYDRAULICS, INC., CLEVELAND, OHIO, AND MAY NOT BE DUPLICATED, USED FOR THE BASIS OF DESIGN OR MANUFACTURE WITHOUT THE WRITTEN PERMISSION OF INTERNATIONAL HYDRAULICS, INC., CLEVELAND, OHIO.</small>		IHI CONNECTORS INTERNATIONAL HYDRAULICS, INC.	
GENERAL TOLERANCES ±.015 (±0,39)		TITLE: SINGLE LUG EXTENDED SOCOMEK 2/0-14 AWG	
MATERIAL: 6061-T6	SIZE: A	DRAWN BY: cridley	DWG NO.: S2-0-TPEX-44-53-HEX (SALES)
FINISH: TIN PLATED	DATE: 4-1-2020	REV: 0	