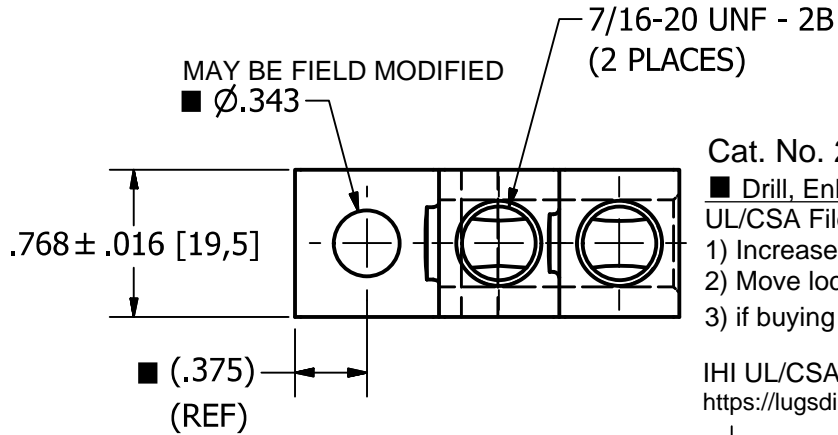
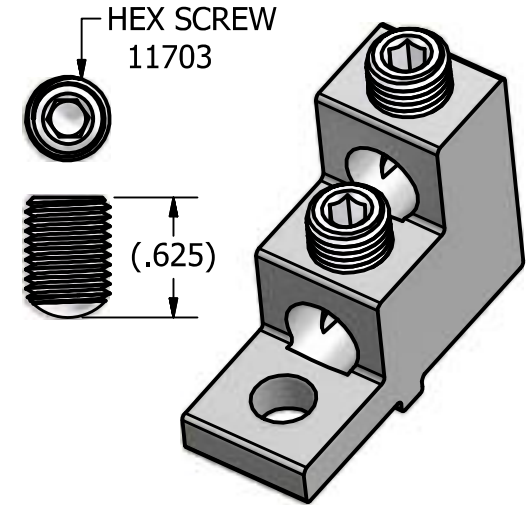


NOT FOR USE WHERE FAILURE CREATES A HAZARD TO HUMAN HEALTH OR SAFETY. ALL PRODUCTS ARE SUBJECT TO THIS FULL DISCLAIMER: <http://www.ihconnectors.com/disclaimer.html>

FOR FURTHER INFORMATION ON THE PROPER USE OF THIS PRODUCT IN SPECIFIC APPLICATIONS SEE <http://www.ihconnectors.com/GuideToFlexFlexibleFineStrandedWireCableMechanicalLugsFAQ.html>
<http://www.ihconnectors.com/Technical-Data-Installation.htm>

ALT SLOTTED SCREW
P/N 14225



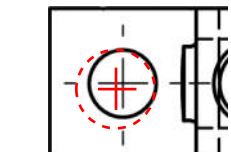
Cat. No. 2S2/0 Style No. 5

- Drill, Enlarge, or Modify Mounting Holes
- UL/CSA Files allow field modification to

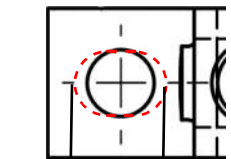
 - 1) Increase hole(s) dia. to 7/16 bolt (.453 drill dia.)
 - 2) Move location of mounting hole(s)
 - 3) if buying blank lug, put custom hole(s) in.

IHI UL/CSA Installation Guide to Drill or Enlarge Mounting Holes:
<https://lugsdirect.com/PDF%20Documents/IHI-MTG-HOLE-FIELD-MODS-UL&CSA-CERTIFICATIONS.pdf>

Examples of Mounting Hole Modifications

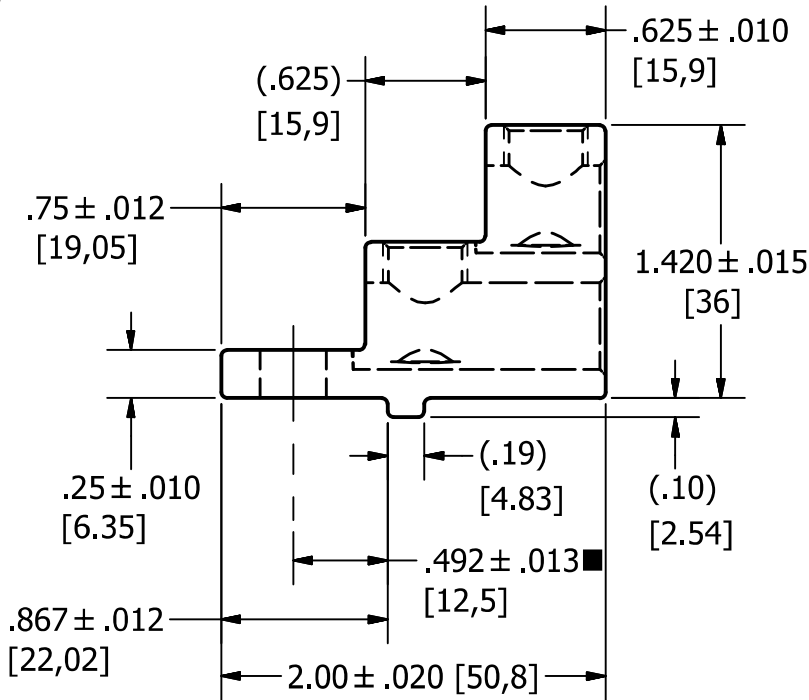


Enlarged hole and shifted center line

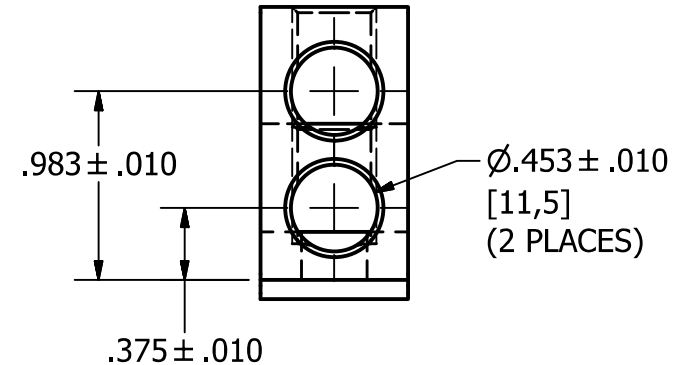


.453
Elongated hole

Part marked:
UL Logo
CSA Logo
IHI
2S2/0
2/0-14
CU9AL



■ MAY BE USED WITH 5/16 HEX BOLT OR M8 HEX BOLT
 USE SAE STYLE WASHER TYP .69 [17,5] MAX DIA.
 OR WASHERHEAD BOLT.



FLEX WIRE 1/0-14 AWG

THIS DRAWING AND DESIGN ARE THE PROPERTY OF INTERNATIONAL HYDRAULICS, INC., CLEVELAND, OHIO, AND MAY NOT BE DUPLICATED, USED FOR THE BASIS OF DESIGN OR MANUFACTURE WITHOUT THE WRITTEN PERMISSION OF INTERNATIONAL HYDRAULICS, INC., CLEVELAND, OHIO.		INTERNATIONAL HYDRAULICS, INC.	
GENERAL TOLERANCES ±.015 (±0,038)		TITLE: DUAL 2/0-14 LUG FOR SWITCH BUS MOUNT 20-25mm WIDE	
MATERIAL: T-6061	SIZE: A	DRAWN BY: TDS	DWG NO.: 2S2-0-TP-STK-34-49-HEX REV: 0
FINISH:	DATE: 9/22/15	IHI CONNECTORS	